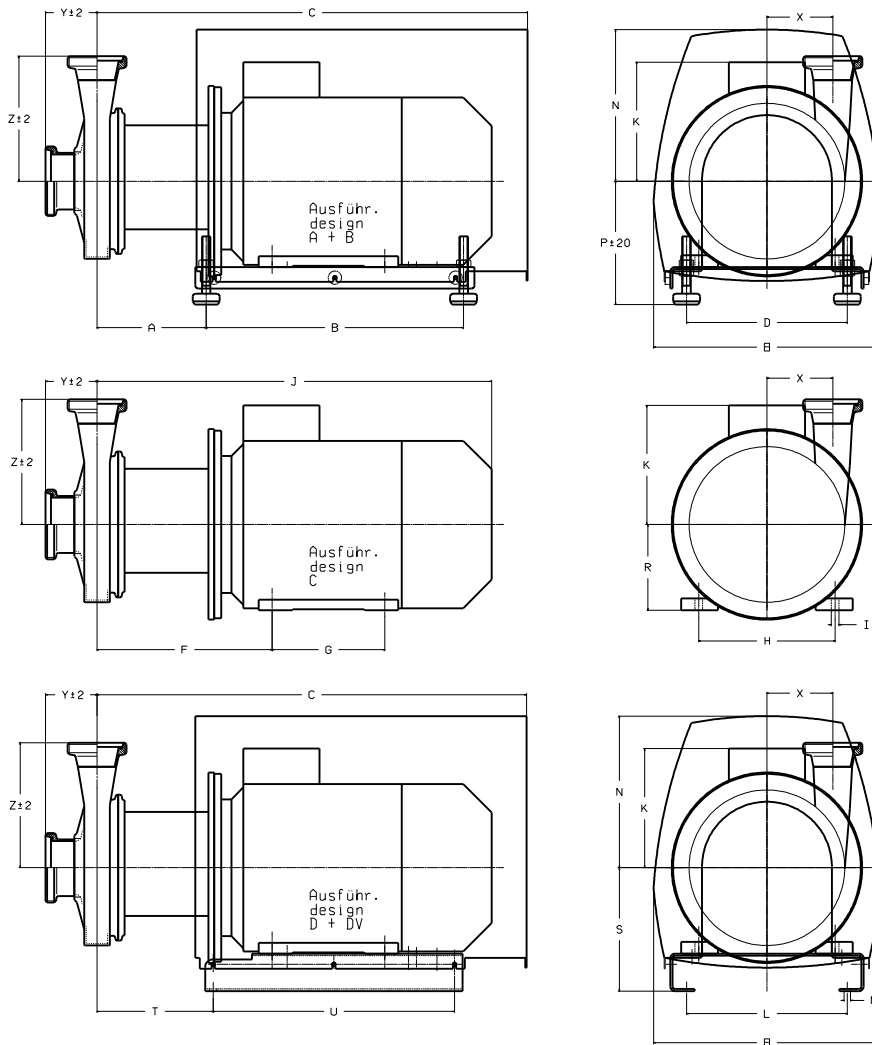


Dimensions / connections acc. to DIN 11851

KN 45/X

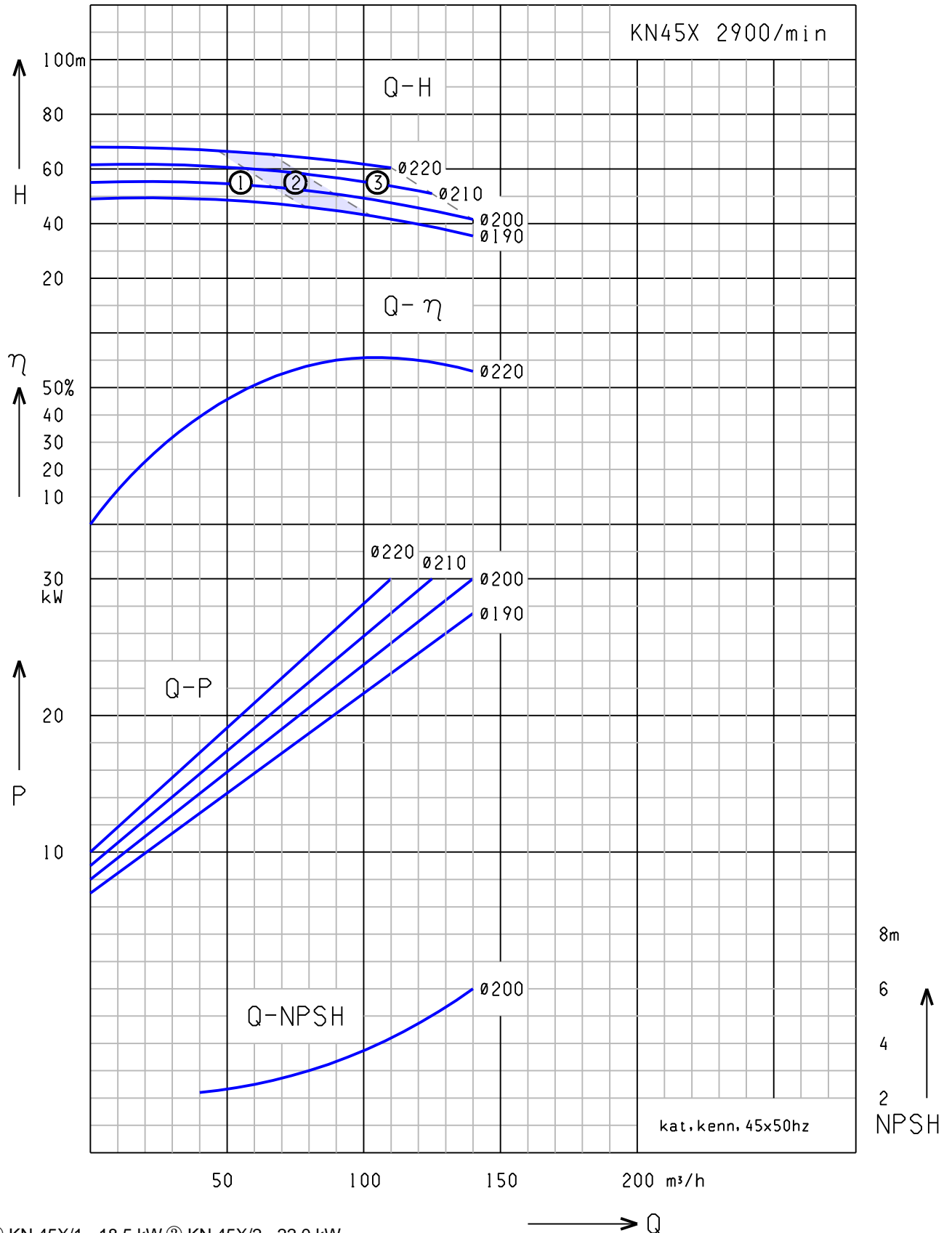


Type	Weights [kg]			kW	rpm		Motor IEC	A	B	C	D	E	F	G	H	I	J	K	L	M	N	P	R	S	T	U
	Design A+DV	Design B+D	Design C		50Hz	60Hz																				
KN 45X/1	150	140	128	15,0	2900	3500	160M	201	480	800	300	422	324	210	254	14	733	222	300	13	283	230	160	230	214	450
KN 45X/2	155	145	133	18,5	2900	3500	160L	201	480	800	300	422	324	254	254	14	733	222	300	13	283	230	160	230	214	450
KN 45X/3.1	158	148	136	22,0	2900	3500	160L	186	480	888	300	462	337	241	279	15	756	321	300	13	341	250	180	250	199	450
KN 45X/3.2	230	207	198	22,0	2900	3500	180M																			
KN 45X/4	235	212	203	30,0	2900	3500	180M																			

Inlet	100	100	100
Outlet	65	80	100
X	135	135	135
Y	98	98	98
Z	224	224	209

Characteristics KN 45X

50 Hz



- ① KN 45X/1 - 18,5 kW
- ② KN 45X/2 - 22,0 kW
- ③ KN 45X/3 - 30,0 kW

Water: 68°F (20°C)